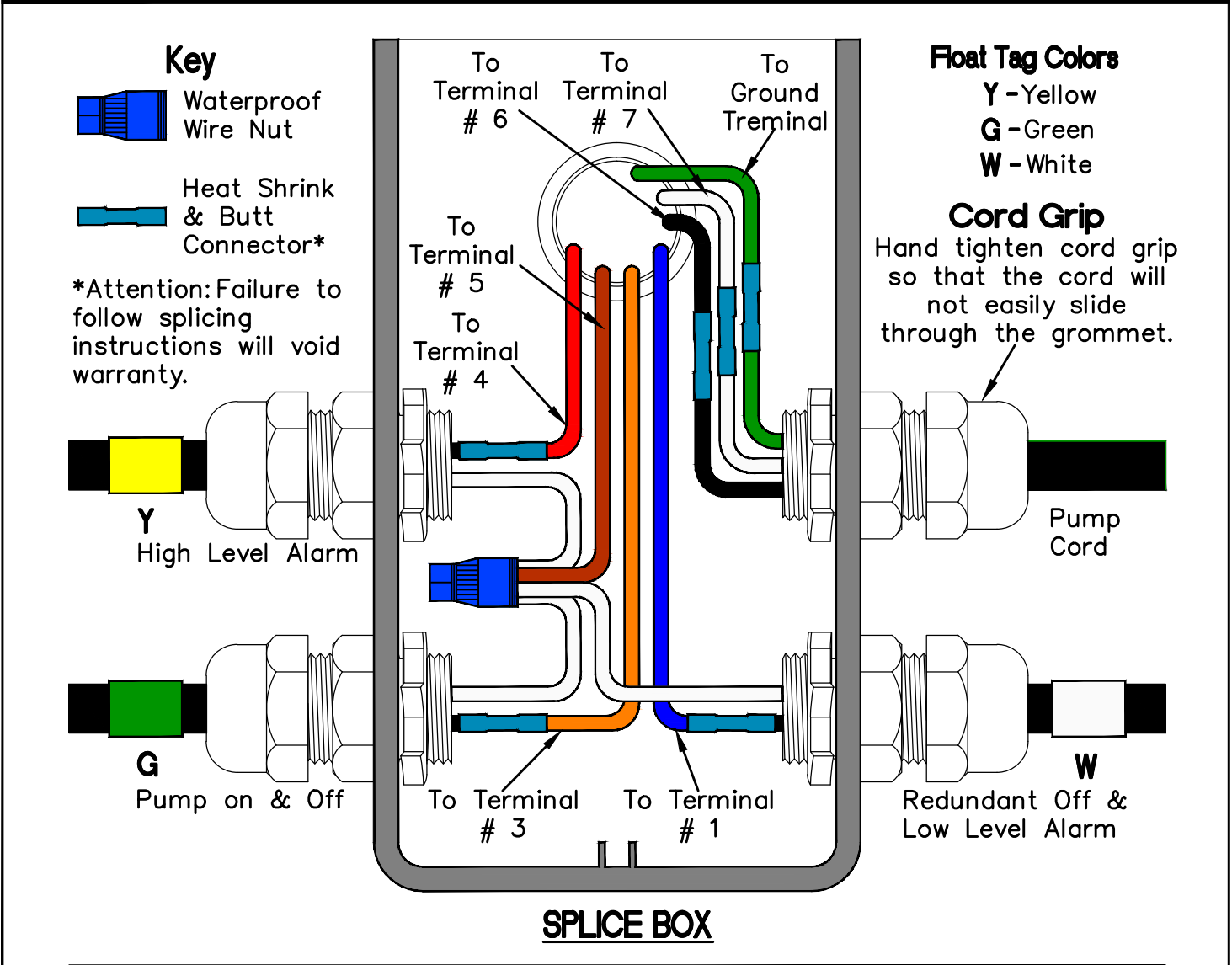


Panel Wiring

Key		Terminal
	Blue – #14 Gauge Wire THHN	1
	Orange – #14 Gauge Wire THHN	3
	Red – #14 Gauge Wire THHN	4
	Brown – #14 Gauge Wire THHN	5
	Black – #12 Gauge Wire THHN	6
	White – #12 Gauge Wire THHN	7
	Green – #12 Gauge Wire THHN	Ground

STRANDED WIRE TO BE USED (NO SOLID WIRE ALLOWED)



Control Panel Series	Float Function Color Code	Splice Box Model	Drawing No.
S RO	YGW	SB4	EDW-SB-S-11

CITY OF VERO BEACH WATER AND SEWER DEPARTMENT ENGINEERING DIVISION	C.O.V.B. SANITARY SEWER STEP SYSTEM CONTROL PANEL and SPLICE BOX WIRING DETAILS	DATE	9/29/2015	DRAWN BY:	T.A.Y.
		APPR.	R.J.B.	DWG. NO.	SIMP.
		REV.	10/17/2017	PAGE 1 OF 1	