

CAMPAIGN TREASURER'S REPORT SUMMARY

(1) LAURA MOSS

Name

(2) 275 DATE PALM RD # 501

Address (number and street)

VERO BEACH FL 32963

City, State, Zip Code

Check here if address has changed

(3) ID Number: _____

(4) Check appropriate box(es):

Candidate Office Sought: VERO BEACH CITY COUNCIL

Political Committee (PC)

Electioneering Communications Org. (ECO)

Party Executive Committee (PTY)

Independent Expenditure (IE) (also covers an individual making electioneering communications)

Check here if PC or ECO has disbanded

Check here if PTY has disbanded

Check here if no other IE or EC reports will be filed

(5) Report Identifiers

Cover Period: From 09/01/18 To 09/30/18 Report Type: M9

Original Amendment Special Election Report

(6) Contributions This Report

Cash & Checks \$ 5,402.00

Loans \$ _____

Total Monetary \$ _____

In-Kind \$ _____

(7) Expenditures This Report

Monetary Expenditures \$ 1,164.60

Transfers to Office Account \$ _____

Total Monetary \$ _____

(8) Other Distributions

\$ _____

(9) TOTAL Monetary Contributions To Date

\$ 6,827.00

(10) TOTAL Monetary Expenditures To Date

\$ 1,322.60

(11) Certification

It is a first degree misdemeanor for any person to falsify a public record (ss. 839.13, F.S.)

I certify that I have examined this report and it is true, correct, and complete:

(Type name) LAURA MOSS

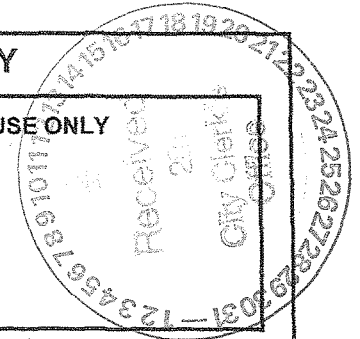
Individual (only for IE or electioneering comm.) Treasurer Deputy Treasurer

X LAURA MOSS
Signature

(Type name) LAURA MOSS

Candidate Chairperson (only for PC and PTY)

X LAURA MOSS
Signature



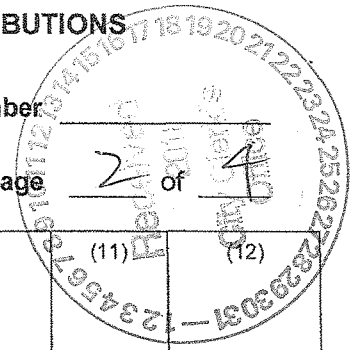
CAMPAIGN TREASURER'S REPORT - ITEMIZED CONTRIBUTIONS

(1) Name Laura Moss

(2) I.D. Number _____

(3) Cover Period 09, 01, 18 through 09, 30, 18

(4) Page 2 of 4

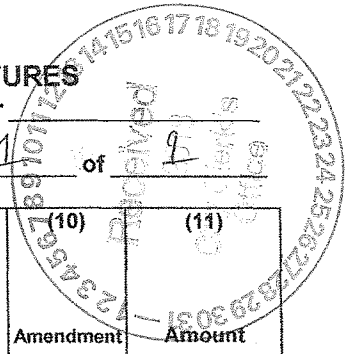


(5) Date	(7) Full Name (Last, Suffix, First, Middle) Street Address & City, State, Zip Code	(8) Contributor Type Occupation		(9) Contribution Type	(10) In-kind Description	(11) Amendment	(12) Amount
(6) Sequence Number		Type	Occupation	Type	Description	Amendment	Amount
09, 18, 18	FRANCES + RICHARD BASSO 275 DATE PALM VERO BEACH FL 32963						50
08		I		CNE			
09, 20, 18	ROBERT + LINDA NUTT 4550 GREEN ISLAND PLACE VERO BEACH FL 32967						200
09		I	RET	CNE			
09, 20, 18	PETER + DEELEN ROBINSON 315 GREYHOUND VERO BEACH FL 32963						97
10		I		CNE			
09, 20, 18	RONALD + MARY WUSLICH 1675 VICTORIA CIR. VERO BEACH FL 32967						30
11		I		CNE			
09, 20, 18	PAUL LEGASSEY C/O DATE PALM RD. VERO BEACH FL 32963						75
09 12		I		CNE			
09, 20, 18	GEORGETTE + MYLUIS FRENCH 275 DATE PALM VERO BEACH FL 32963						200
13		I	RET	CNE			
09, 24, 18	NORTHSIDE PLAZA #44 PO BOX 2526 VERO BEACH FL 32961						500
14		B		CNE			

CAMPAIGN TREASURER'S REPORT - ITEMIZED EXPENDITURES

(1) Name Laura Moss
 (3) Cover Period 09, 01, 18 through 09, 30, 18

(2) I.D. Number _____
 (4) Page 1 of 9



(5) Date	(7) Full Name (Last, Suffix, First, Middle) Street Address & City, State, Zip Code	(8) Purpose (add office sought if contribution to a candidate)	(9) Expenditure Type	(10) Amendment	(11) Amount
09/18/18	SUE ANN HENRY 772 ENTERTAINMENT 5702 EAGLE DR. FT PIERCE FL 34951	ENTERTAINMENT FUNDRAISING EVENT	CAN		150
01					
09/19/18	SUPERVISOR OF ELECTIONS 4375 43RD AVE. VERO BEACH FL 32967	MAILING LIST	CAN		15
02					
09/25/18	VERO BEACH HOTEL & SPA SCEAN DR. VERO BEACH FL 32963	FUNDRAISING EVENT	CAN		999.60
03					
/ /					
/ /					
/ /					
/ /					
/ /					